

T1	R1	R2	R3	R4	R5	R6	R7
BF 244 A	470	1000	3300	3300	2200	680	22K
BF244 B	330	470	1500	1500	1000	330	15K

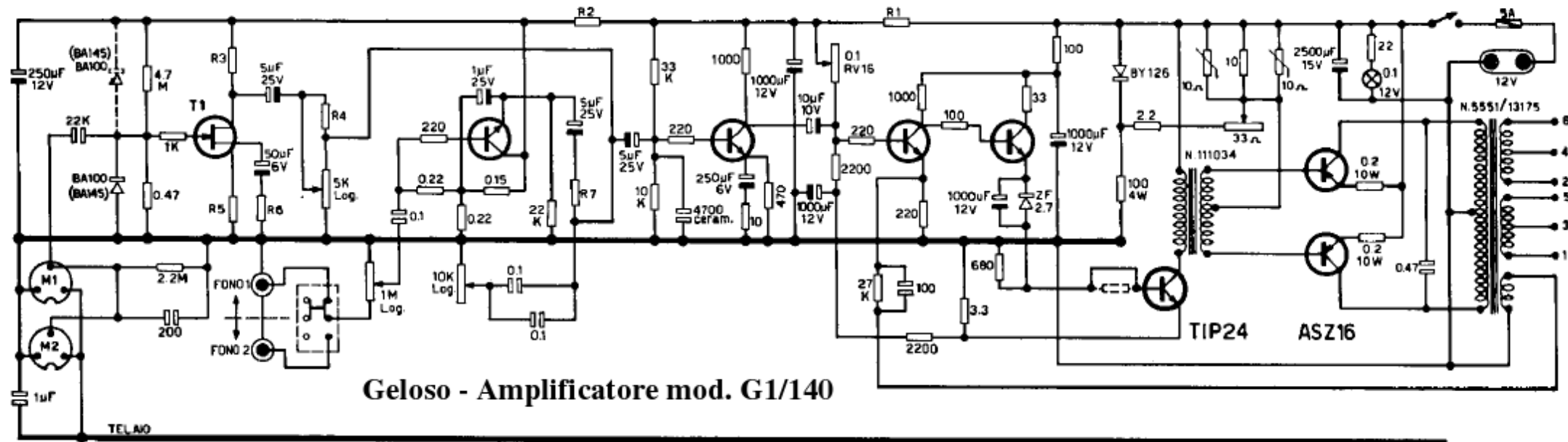
BC148

BC148

BC148

BFY51

ASZ16



Geloso - Amplificatore mod. G1/140